

Specification for Speaker		Page	2/9
		Revision No.	1.0
Model No.	KP50170SP1-6494	Drawing No.	KFC6494

CONTENTS

1. Scope
2. General
3. Electrical and Acoustic Characteristics.
4. Reliability Test
5. Measurement Block Diagram & Response curve
6. Structure
7. Dimensions
8. Packing
10. Revision

Specification for Speaker		Page	3/9
		Revision No.	1.0
Model No.	KP50170SP1-6494	Drawing No.	KFC6494

1. Scope

This specification is applied to the dynamic speaker which is used all of the electrical acoustic product.

- compact, rich sound
- applications: mobile phone, PDA, notebook computer, etc. ..

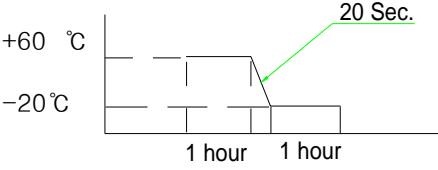
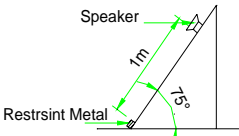
2. General

- 2.1 Out-Diameter : 50 mm
- 2.2 Height : 24.5 mm
- 2.3 Weight : 55 g
- 2.4 Operating Temperature range:
 - 20 ~+60 °C without loss of function
- 2.5 Store Temperature range:
 - 20 ~+60 °C without loss of function

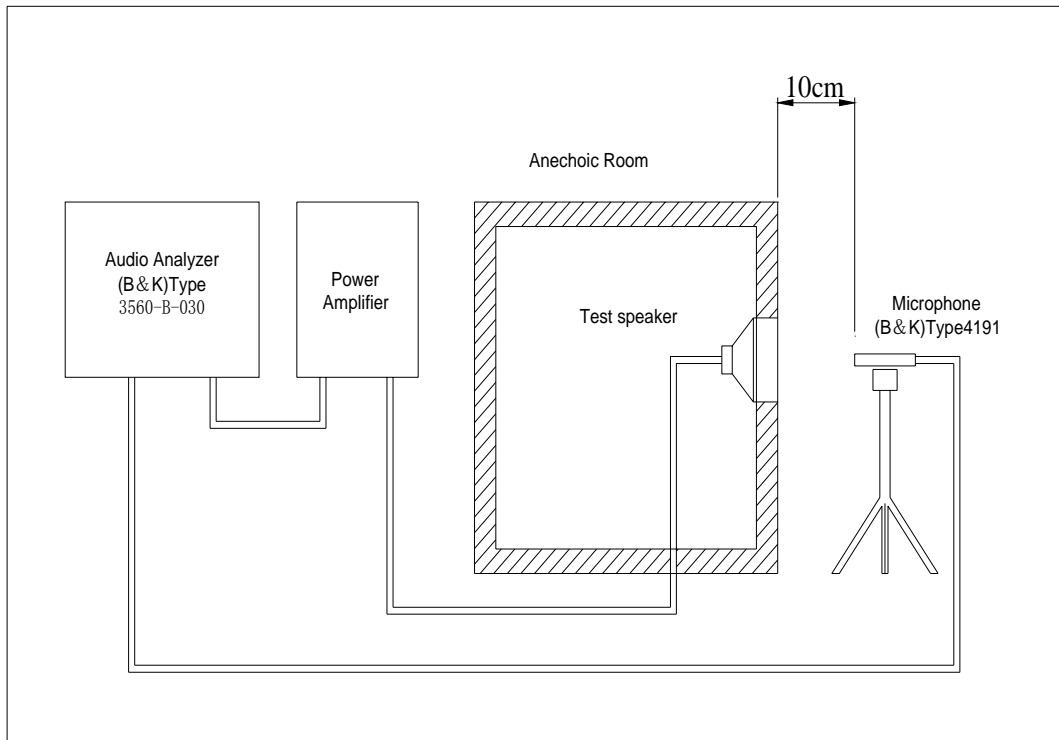
3. Electrical and Acoustic Characteristics.

Test condition : 15 ~ 35 °C, 25% ~ 85% RH, 860~1060 mbar

No	Items	Specification
1	Impedance	8 Ω ± 15% (1Vrms at 1.0KHz 1.0V)
2	Sound Pressure Level	91 dB ± 2dB (at 0.1w/ 0.1m Average at 0.8,1.0,1.2,1.5KHz)
		81 dB ± 2dB (at 1W/ 1M Average at 0.8,1.0,1.2,1.5KHz)
3	Resonance Frequency	450 Hz ± 20%
4	Frequency Range	Fo ~4KHz
5	Input Power	Rated 0.3 W / Max. 0.5 W
6	Distortion	<10% Max. at 2kHz/2Vrms
7	Buzz and Rattle	Should not be audible buzzes,rattles when the 1.55V sine wave signal swept at frequency range.
8	Polarity	When supplied plus D.C. voltage to (+) terminal, the cone diaphragm must move to forward.

Specification for Speaker		Page	4/9
		Revision No.	1.0
Model No.	KP50170SP1-6494	Drawing No.	KFC6494
<h3>4. Reliability Test</h3> <p>After test(1~7item), the speaker S.P.L . difference shall be within $\pm 3\text{dB}$, and the appearance not exist any change to be harmful to normal operation (e.g. cracks,rusts,damages and especially distortion).</p>			
No	Items	Specification	
1	High Temperature Test	After being placed in a chamber with $+60 \pm 3 \text{ }^\circ\text{C}$ for 96 hours and then being placed in natural condition for 1 hour, speaker shall be measured.	
2	Low Temperature Test	After being placed in a chamber with $-20 \pm 3 \text{ }^\circ\text{C}$ for 96 hours and then being placed in natural condition for 1 hour, speaker shall be measured.	
3	Humidity Test	After being placed in a chamber with $85 \pm 5\% \text{ R.H.}$ at $+40 \pm 5 \text{ }^\circ\text{C}$ for 96 hours and then being placed in natural condition for 1 hour, speaker shall be measured.	
4	Thermal Shock Test	<p>After being placed in a chamber at $+60 \text{ }^\circ\text{C}$ for 1 hour, then speaker shall be placed in a chamber at $-20 \text{ }^\circ\text{C}$ for 1 hour(1 cycle is the below diagram). After 4 above cycles, speaker shall be measured after being placed in natural condition for 10 Sec..</p> 	
5	Vibration Test	After being applied vibration of amplitude of 1.5mm with 10 to 55Hz band of vibration frequency to each of 3 perpendicular directions for 1 hour, then placed in natural condition for 1 hour, speaker shall be measured.	
6	Drop Test	<p>A speaker is dropped from 1m in length on 75° inclination and a magnetic circuit of speaker is hit to the restraint metal.</p> <p>After the test, magnetic circuit should not drop out and speaker should be met the item 11,12.</p> 	
7	Load test	After being applied loading white noise with input power 0.3W(1.55Vrms.) for 96 hours, then placed in natural condition for 1 hour, speaker shall be measured.	
8	Insulation test	When they are measured with DC 100V the insulation resistance between v.c. terminal and frame must be more than $1 \text{ M}\Omega$	

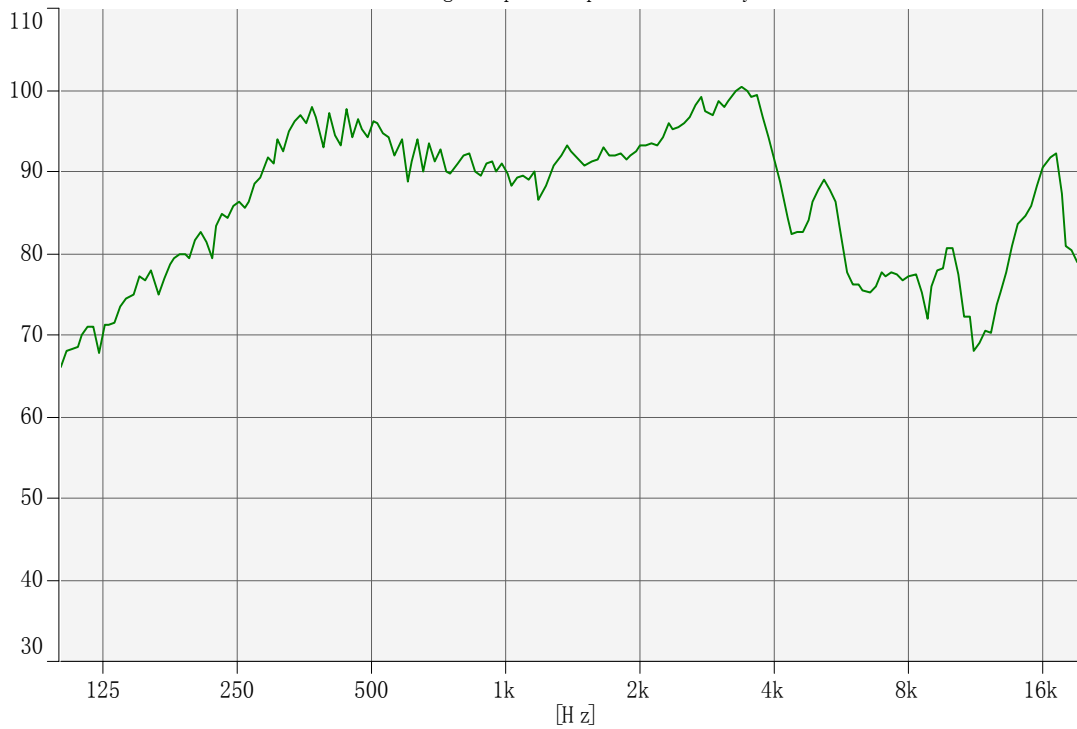
5. Measurement Block Diagram & Response curve



[dB/20.0u Pa]

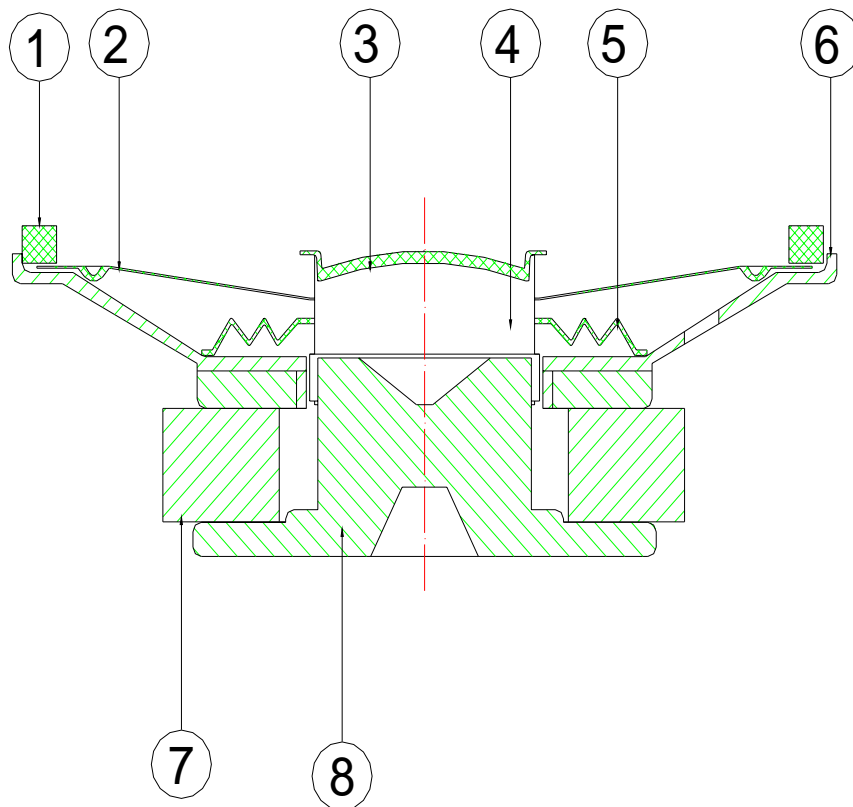
Output Response (Signal) - Input (Magnitude)

Working : Input : Input : SSR Analyzer



Specification for Speaker		Page	6/9
		Revision No.	1.0
Model No.	KP50170SP1-6494	Drawing No.	KFC6494

6. Structure



No.	Part Name	Q'ty	Material	Remarks
8	T yoke	1	SPCC	
7	Magnet	1	Y30	
6	Frame	1	SPCC	
5	Spider	1	Cotton Yarn	
4	Voice Coil	1	Kraft Paper	
3	Dust Cap	1	Paper	
2	Cone	1	Paper	
1	Gasket	1	Rubber	

Specification for Speaker

Page

7/9

Revision No.

1.0

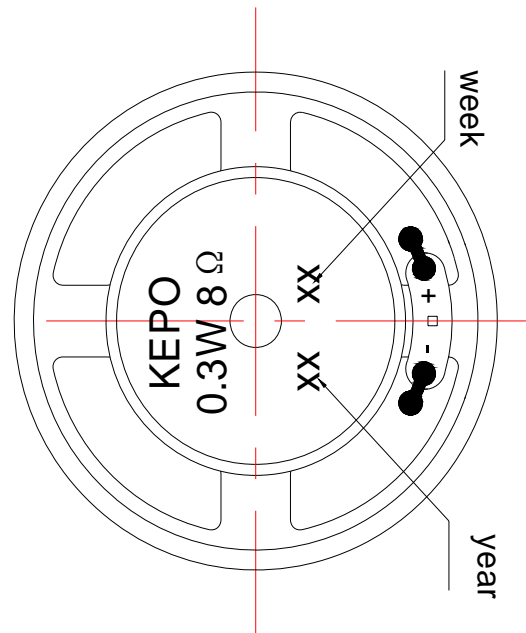
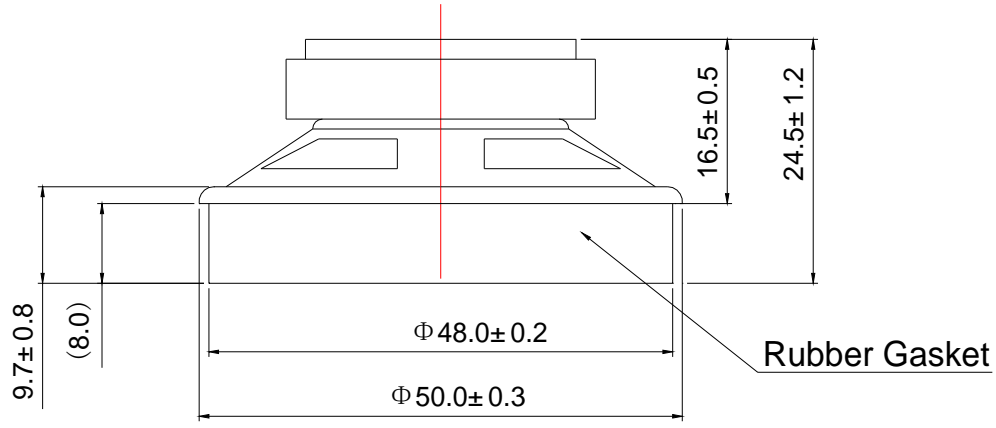
Model No.

KP50170SP1-6494

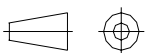
Drawing No.

KFC6494

7. Dimensions



FIRST ANGLE PROJECTION



UNIT : mm

Tolerance : ±0.5

Specification for Speaker		Page	8/9
		Revision No.	1.0
Model No.	KP50170SP1-6494	Drawing No.	KFC6494

8. Packing



每条5PCS



每条5PCS



每箱24条



每箱120PCS

外箱尺寸：355X275X140
QTY:120PCS

